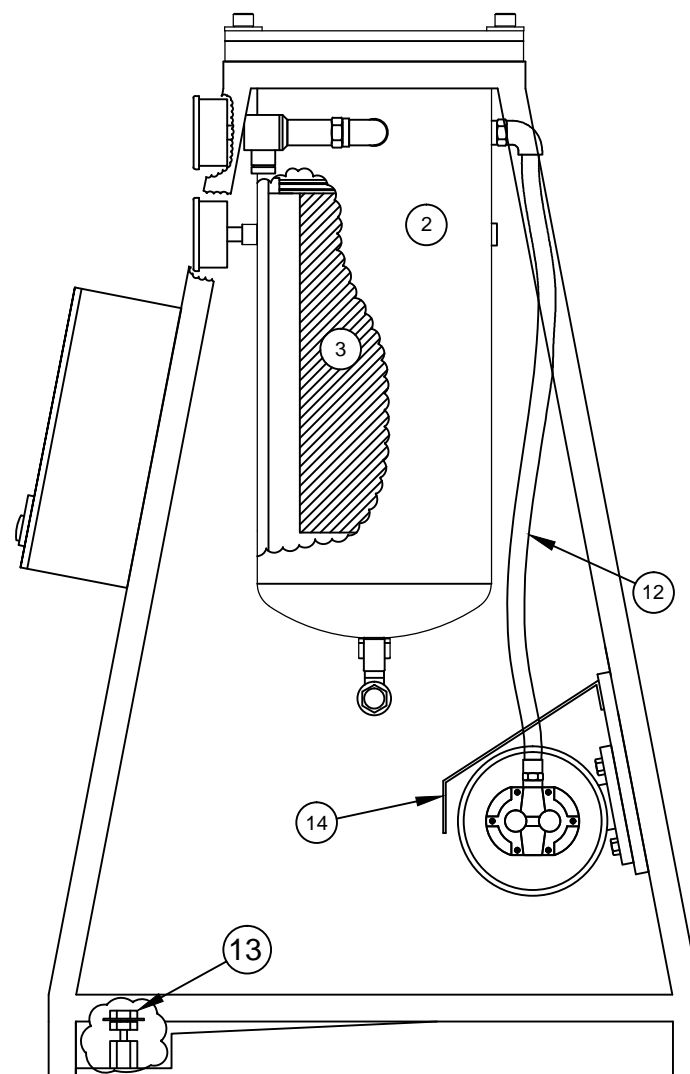
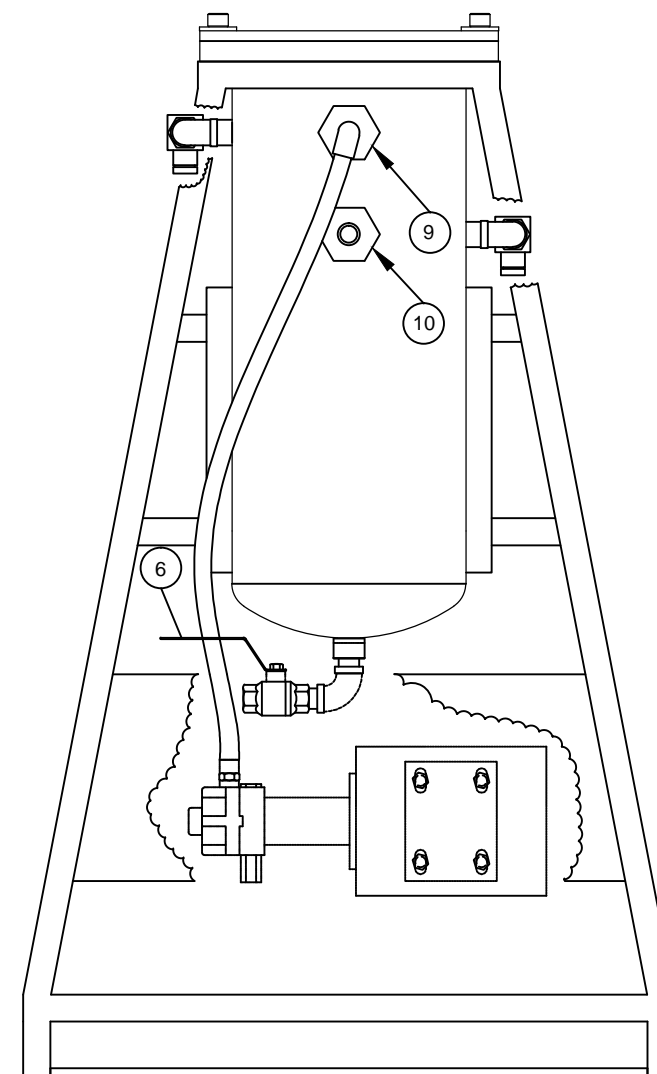


FRONT VIEW



RIGHT-SIDE VIEW



BACK VIEW

NO.	DESCRIPTION
1	PUMP (120V SINGLE PH)
2	S.S. FILTER CANISTER
3	INTEGRITY ULSD/BIO FILTER
4	PRESSURE GAUGES
5	CONTROL PANEL
6	WATER DRAIN VALVE
7	S.S. DRIP TRAY
8	PRESSURE TRANSMITTER
9	CANISTER INLET
10	CANISTER/SYSTEM OUTLET
11	SYSTEM INLET
12	1/2" HYDRAULIC HOSE
13	FLOAT SWITCH
14	STAINLESS STEEL MOTOR SHIELD

INSTALLATION NOTES:

- A. 120V SINGLE PHASE DEDICATED CIRCUIT.
- B. EXTERNAL PIPE TO BE MECHANICALLY PROTECTED.
- C. USE MINIMUM NUMBER OF JOINTS POSSIBLE.
- D. SYSTEM TO BE INSTALLED WITH ADDITIONAL ISOLATION VALVES TO AND FROM THE TANK.
- E. SYSTEM TO BE INSTALLED WITH A STRAINER ON THE INLET PIPING BEFORE THE PUMP.



10 Morris Dr. Suite 18 Dartmouth, Nova Scotia B3B 1K8
Ph: 902.880.8010 Fx: 902.468.3289

PROJECT TITLE:	DATE: NOV 29/2011
	DRAWN BY: R. ROBERTSON
	DWG. NO: RSI - IN5